

# L02 Vacuum Pulsators

# InterPuls

# LL90 Long Life Vacuum Pulsator

## L02 Air Pulsators

- 50% more air boost than standard L02 Pulsator
- Oversized filtering surface
- Improved performance
- Gentle and uniform milking
- Excellent massage phase
- Easier to clean air filter

- 1079001** L02 Air Pulsator 60/40 Ratio with 2 exits
- 1079002** L02 Air Pulsator 50/50 Ratio with 2 exits
- 1079003** L02 Air Pulsator 65/35 Ratio with 2 exits
- 1079005** L02 Air Pulsator 60/40 Ratio with 4 exits

## L02 Pulsators

- Compact, ergonomic design
- State-of-the-art valve plate and slide for smoothest action and guaranteed consistency of milking / massage phase
- Main diaphragm – impermeable and resistant to fatigue
- Easily installed and serviced
- Adjustable from 50 to 180 ppm over a vacuum range of 35-50kPa (10 to 15 hg)

- 1059001** L02 Pulsator 60/40 Ratio with 2 exits
- 1059002** L02 Pulsator 50/50 Ratio with 2 exits
- 1059003** L02 Pulsator 65/35 Ratio with 2 exits
- 1059004** L02 Pulsator 70/30 Ratio with 2 exits
- 1059005** L02 Pulsator 60/40 Ratio with 4 exits
- 1059006** L02 Pulsator 50/50 Ratio with 4 exits
- 1059007** L02 Pulsator 65/35 Ratio with 4 exits
- 1050027** Replacement Filter

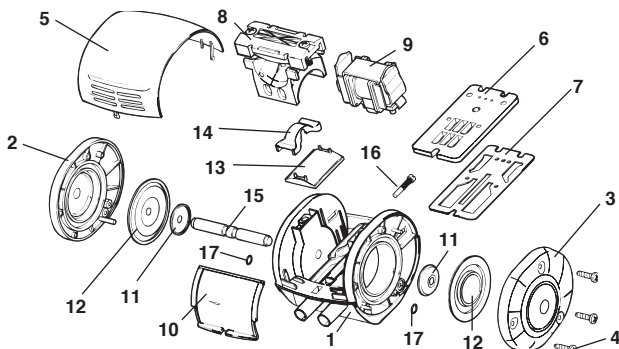
## REPAIR KITS FOR L02 VACUUM PULSATORS

Repair Kits are bagged with instruction manual. Contents:

- 1050061** Repair Kit for 60/40
- 1050062** Repair Kit for 50/50
- 1050063** Repair Kit for 65/35
- 1050064** Repair Kit for 70/30

## REPLACEMENT PARTS FOR L02 & L02 AIR PULSATORS

- |   |   |
|---|---|
| <b>1</b> 1050001 Body with 2 exits          | <b>10</b> 1050027 Filter                |
| <b>1A</b> 1050029 Body with 4 exits         | <b>11</b> 1050009 Diaphragm plate       |
| <b>2</b> 1050002 Right cover                | <b>12</b> 1010007 Main diaphragm        |
| <b>3</b> 1050003 Left cover                 | <b>13</b> 1050012 Slide 60/40           |
| <b>4</b> 1000023 End cover screw            | <b>13A</b> 1050015 Slide 50/50          |
| <b>5</b> 1050056 Top cover, S.S.            | <b>13B</b> 1050014 Slide 65/35          |
| <b>5</b> 1090007 Top over for L02 Air, blue | <b>13C</b> 1050013 Slide 70/30          |
| <b>6</b> 1050007 Synthetic valve plate      | <b>14</b> 1050011 Slide locating block  |
| <b>7</b> 1050008 Valve plate gasket         | <b>15</b> 1000049 Spindle               |
| <b>8</b> 1050018 Valve plate holder         | <b>16</b> 1050004 Speed adjusting screw |
| <b>9</b> 1050021 Reverse mechanism block    | <b>17</b> 1000159 O-Ring                |
| <b>1000051</b> Small diaphragm for 1050021  |   |



## LL90 Stainless Steel Top, Black Covers

- The Vacuum Pulsator for heavy duty working conditions
- Simple, reliable, variable-speed alternating pulsator
- "Dustop" air filter for improved filtration of microscopic dust particles
- Cover design for tighter fit.
- "Surematch" slide & valve for less friction and smoother interaction
- Diaphragm made of fatigue-resistant materials

- 1019013** LL90 Pulsator 50:50 Ratio
- 1019014** LL90 Pulsator 60:40 Ratio
- 1019015** LL90 Pulsator 65:35 Ratio
- 1019016** LL90 Pulsator 70:30 Ratio
- 1019018** LL90 Pulsator with 4 exits, 60:40 ratio
- 1000058** Nipple Blanking Plug



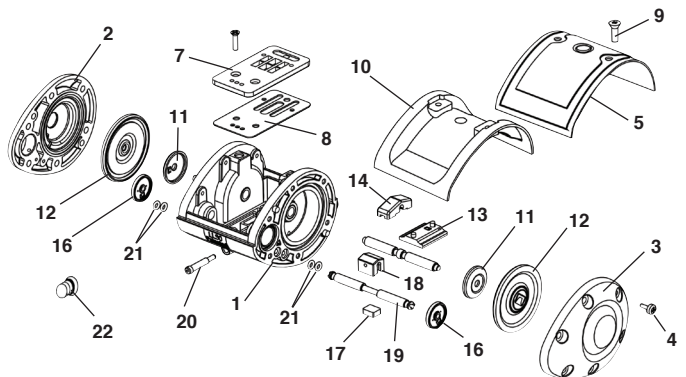
## REPAIR KITS

Repair Kits are bagged with instruction manual. Contents:

- 2 - **1010007** Diaphragm
- 2 - **1000051** Small Diaphragm
- 4 - **1000159** O-ring
- 2 - **1000023** End Cover Screws
- 1 - **1010010** Top Cover Screw
- 1 - **1010006** Filter
- 1 - Appropriate slide
- 1010033** Repair Kit for 60:40 with 1010001 slide
- 1010034** Repair Kit for 50:50 with 1010002 slide
- 1010035** Repair Kit for 70:30 with 1010003 slide
- 1010036** Repair Kit for 65:35 with 1010009 slide



## REPLACEMENT PARTS FOR LL90 / SPIII PULSATORS



- |   |  |
|---|--|
| <b>1</b> 1010005 Body with 2 exits      | <b>13</b> 1010002 Large slide - 50/50              |
| <b>2</b> 1000005 End cover left (LL90)  | <b>13</b> 1010001 Large slide - 60/40              |
| <b>3</b> 1000006 End cover right (LL90) | <b>13</b> 1010009 Large slide - 65/35              |
| <b>4</b> 1000023 End cover screw        | <b>13</b> 1010003 Large slide - 70/30              |
| <b>5</b> 1010011 S.S. top cover (LL90)  | <b>14</b> 1010098 Large slide locating block       |
| <b>6</b> 1010010 Top cover screw        | <b>15</b> 1000049 Spindle                          |
| <b>7</b> 1010085 Synthetic valve plate  | <b>16</b> 1000051 Small diaphragm                  |
| <b>8</b> 1000035 Valve plate gasket     | <b>17</b> 1000052 Small slide                      |
| <b>9</b> 1000037 Valve plate screw      | <b>18</b> 1000053 Small slide valve locating block |
| <b>10</b> 1010006 Filter                | <b>19</b> 1000054 Small spindle                    |
| <b>11</b> 1000041 Diaphragm plate       | <b>20</b> 1010015 Speed adjustment screw           |
| <b>12</b> 1010007 Main diaphragm        | <b>21</b> 1000159 O-ring                           |
|   | <b>22</b> 1000058 Nipple blanking plug             |

\*\*1000082 ITP 4-Exit Adapter w/ O-Rings & Screw (Not shown in illustration above).



The Coburn Company, Inc. • P O Box 147 • Whitewater, WI 53190 U.S.A.

800 776 7042

262 473 2822

coburn.com

info@coburn.com

# InterPuls

## L80 Vacuum Pulsators



### L80 InterPuls Vacuum Pulsator

- Our most popular Vacuum Pulsator
- Reliable, easily rebuilt, economical
- Boxed with instruction and parts list

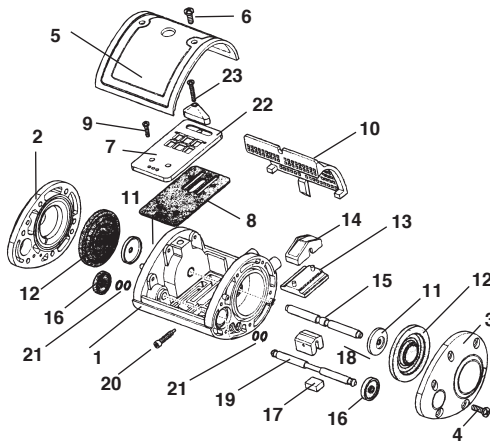
- 50501** L80 Pulsator 50:50 Ratio.  
**60501** L80 Pulsator 60:40 Ratio.  
**60505** L80 Pulsator with 4 exits for Surge Suspended Bucket. Specify ratio.  
**70501** L80 Pulsator 70:30 Ratio.  
**1000058** Nipple Blanking Plug.

#### REPAIR KITS

- 1000095** Repair Kit for 60:40. 1010001 slide.  
**1000096** Repair Kit for 50:50. 1010002 slide.  
**1000097** Repair Kit for 70:30. 1010003 slide.  
 Repair Kits are bagged with instruction manual.  
 Contents: 2 - 1010007 Main Diaphragm, 2 - 1000051 Small Diaphragm, 4 - 1000159 O-ring, 6 - 1000023 End Cover Screw and appropriate slide.



#### REPLACEMENT PARTS FOR L80 VACUUM PULSATORS



- |    |                |                        |    |                |  |
|----|----------------|------------------------|----|----------------|--|
| 1  | <b>1000001</b> | Body with 2 exits      | 13 | <b>1010002</b> | Large slide - 50/50  |
| 2  | <b>1000005</b> | Left cover             | 13 | <b>1010003</b> | Large slide - 70/30  |
| 3  | <b>1000006</b> | Right cover            | 14 | <b>1010098</b> | Large slide locating block                                     |
| 4  | <b>1000023</b> | End cover screw        | 15 | <b>1000049</b> | Spindle  |
| 5  | <b>1000024</b> | S.S. Top cover         | 16 | <b>1000051</b> | Small diaphragm  |
| 6  | <b>1000030</b> | Upper cover screw      | 17 | <b>1000052</b> | Small slide  |
| 7  | <b>1010085</b> | Synthetic valve plate  | 18 | <b>1000053</b> | Small slide locating block                                     |
| 8  | <b>1000035</b> | Gasket for valve plate | 19 | <b>1000054</b> | Small spindle  |
| 9  | <b>1000037</b> | Valve plate screw      | 20 | <b>1010015</b> | Speed adjusting screw  |
| 10 | <b>1000038</b> | Filter                 | 21 | <b>1000159</b> | O-ring   |
| 11 | <b>1000041</b> | Diaphragm plate        | 22 | <b>1010092</b> | Valve plate clamp  |
| 12 | <b>1010007</b> | Main diaphragm         | 23 | <b>1010093</b> | Clamp screw  |
| 13 | <b>1010001</b> | Large slide - 60/40    | 24 | <b>1000082</b> | 4-Exit Adapter w/ O-Rings & Screw<br>(Not pictured in diagram) |



# Vacuum Pulsators and Adapters

## InterPuls Vacuum Pulsator Adapters



- |                |                                 |                |   |
|----------------|---------------------------------|----------------|---|
| <b>161406</b>  | Permanent mt. adapter, 3/8" NPT | <b>2800068</b> | Repl. O-Ring for 2809015                    |
| <b>161407</b>  | Lid adapter for B/M & Surge     | <b>2809032</b> | New-style Westfalia lid adapter             |
| <b>3009032</b> | Repl. bottom gasket for 161407  | <b>2800076</b> | Repl. O-Ring for 2809032                    |
| <b>3010033</b> | Repl. top gasket for 161407     | <b>2800065</b> | Repl. top gasket for 2809032 & 2809061      |
| <b>161420</b>  | Universal stall cock adapter    | <b>161423</b>  | Surge white stall cock adapter              |
| <b>2809001</b> | Old Style stall cock adapter    | <b>2809035</b> | Westfalia bayonet fitting adapter           |
| <b>2809004</b> | Various machines adapter        | <b>2809041</b> | Fullwood pipeline adapter                   |
| <b>2809010</b> | D/L bucket (Hydro) adapter      | <b>2809046</b> | Mellotte pipeline bracket adapter           |
| <b>2800046</b> | Check valve for 2809010         | <b>2809061</b> | Surge suspended bucket adapter              |
| <b>2800066</b> | Repl. top gasket for 2809010    | <b>2809064</b> | Adapter for B/M Electric stall cock         |
| <b>140428</b>  | Repl. bottom gasket for 2809010 | <b>2809065</b> | Adapter for D/L Electric stall cock         |
| <b>2800072</b> | Repl. O-Ring for 2809010        | <b>2800094</b> | Repl. gasket and body for 2809064 & 2809065 |
| <b>2809015</b> | DV300 or D/L stall cock adapter | <b>10419</b>   | Repl. square gasket for 2809073             |
| <b>2800064</b> | Repl. top gasket for 2809015    | <b>2809043</b> | Conde & SAC bucket lid adapter              |



The Coburn Company, Inc.

• P O Box 147 • Whitewater, WI 53190 U.S.A.

800 776 7042

262 473 2822

coburn.com

info@coburn.com